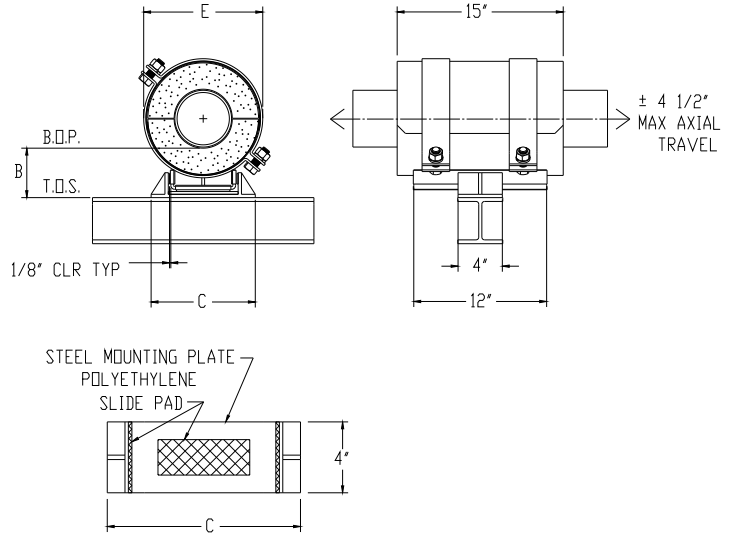




MODEL B 8000 Laterally Restrained Insulated Pipe Support

Heavy Duty,
Base Mounted



Contact factory for other dimensional, temperature, load, or axial travel, requirements. If lateral load is greater than 50% of actual vertical load, contact factory.

The load ratings represent average values obtained in accordance with accepted test methods and are subject to normal manufacturing variations. Dimensions and ratings are subject to change without notice.

Note: For higher load ratings, see: B8100 - For lateral travel, see: B6000

Pipe Size	Vert. Load	Insul. Thk. = 1"			Insul. Thk. = 1-1/2"			Insul. Thk. = 2"			Insul. Thk. = 2-1/2"			Insul. Thk. = 3"			Insul. Thk. = 4"			Insul. Thk. = 5"		
		B	C	E	B	C	E	B	C	E	B	C	E	B	C	E	B	C	E	B	C	E
1/2	125	4	3.5	3.25	4	4	4.375	4	4.5	5.375	4	6	7	6	6.5	8	6	8.5	10	8	10	12.125
3/4	155	4	3.5	3.25	4	4	4.375	4	4.5	5.375	4	6	7	6	6.5	8	6	8.5	10	8	10	12.125
1	200	4	4	3.875	4	4.5	4.875	4	5	5.937	4	6	7	6	6.5	8	6	8.5	10	8	10	12.25
1 1/2	290	4	4	4.375	4	4.5	5.5	4	6	7	4	6.5	8	6	7.5	9	6	9.5	11.25	8	11	13.25
2	335	4	4.5	5	4	5	6.0625	4	6	7	4	6.5	8	6	7.5	9.125	6	9.5	11.25	8	11	13.25
2 1/2	410	4	4.5	5.5	4	6	7.125	4	6.5	8.125	4	7.5	9.125	6	8.5	10.125	6	10	12.25	8	11.5	14.5
3	475	4	6.5	6.062	4	7.5	7.125	4	8	8.125	4	9	9.125	6	10	10.125	6	11.5	12.375	8	13	14.625
4	750	4	7.5	7.25	4	8	8.25	4	9	9.25	4	10	10.25	6	11	11.375	6	12.5	13.375	8	14	15.625
5	940	4	8	8.25	4	9	9.25	4	10	10.25	4	11	11.375	6	11.5	12.375	6	13	14.875	8	14.5	16.875
6	1140	4	9	9.25	4	10	10.25	4	11	11.375	4	11.5	12.625	6	12.5	13.625	6	14	15.875	8	15.5	17.875
8	1500	4	11	11.625	4	11.5	12.625	4	12.5	13.625	6	13	14.875	6	14	15.875	6	15.5	17.875	8	16.5	20.125
10	1800	4	13.5	13.625	4	14	14.875	4	15	15.875	6	15.5	16.875	6	16.5	18.125	6	17.5	20.125	8	19	22.125
12	1950	4	15	16.125	4	15.5	17.125	4	16.5	18.125	6	17	19.125	6	17.5	20.125	6	19	22.125	8	20.5	24.125
14	2250	4	16	17.125	4	17	18.125	4	17.5	19.125	6	18	20.125	6	19	21.125	6	20.5	23.125	8	21.5	25.125
16	2600	4	17.5	19.125	4	18	20.125	6	19	21.375	6	19.5	22.375	6	20.5	23.375	8	21.5	25.375	8	23	27.375
18	2850	4	19.5	21.375	4	20	22.375	6	21	23.375	6	21.5	24.375	6	22	25.375	8	23.5	27.375	8	25	29.375
20	3050	4	21	23.375	4	21.5	24.375	6	22	25.375	6	23	26.375	6	23.5	27.375	8	25	29.375	8	26.5	31.375
24	3200	4	24	27.375	4	25	28.375	6	25.5	29.375	6	26.5	30.375	6	27	31.375	8	28.5	33.375	8	30	35.375
30	4200	4	29.5	33.625	6	30	34.625	6	31	35.625	6	31.5	36.625	6	32	37.625	8	33.5	39.625	8	35	41.625
36	4900	4	34	39.625	6	35	41.125	6	35.5	42.125	6	36	43.125	6	37	44.125	8	38.5	46.125	8	40	48.125
42	5550	4	39	46.125	6	39.5	47.125	6	40.5	48.125	6	41	49.125	6	41.5	50.125	8	43	52.125	8	44.5	54.125

Application:

- Model B 8000 is designed for use on:
- Hot Water
 - Cold Water
 - Dual Temperature
 - Vacuum
 - Steam
 - Gas
 - Air
 - Chilled Water

Intended for installation on:

- Flat Surfaces

Temperature Range: +40°F to +1200°F
Note: Up to 170°F available upon request.

Features:

- All pipe sizes
- Easy installation
- Eliminates welding to pipe
- Overlapping galvanized sheet metal jacket
- Insulating structural inserts for load transfer
- Stainless steel to UHMW polyethylene slide
- Other I.D.'s and/or O.D.'s available on request
- Factory mounted polyethylene slide pad on steel mounting plate

Performance Test Results on File:
Available upon request.

Material Data:

- B8000: Applicable PSI spec. doc.: No. 20.9.
- Insulation: Calcium Silicate asbestos-free, treated with water repellent.
- Jackets: Galvanized Steel ASTM A-527.
- Glue: Industrial contact adhesive
- Structural Inserts: High-density calcium silicate asbestos free, treated with water repellent.
- Steel Straps/Bases: Carbon Steel ASTM A-36.
- Fasteners: ASTM A-307 plated.
- Slide Pad: UHMW Polyethylene (Teflon optional).
- Coating: Primer coated or hot dipped galvanized. Other coatings available upon request.

Formal Submittal Sheets available.