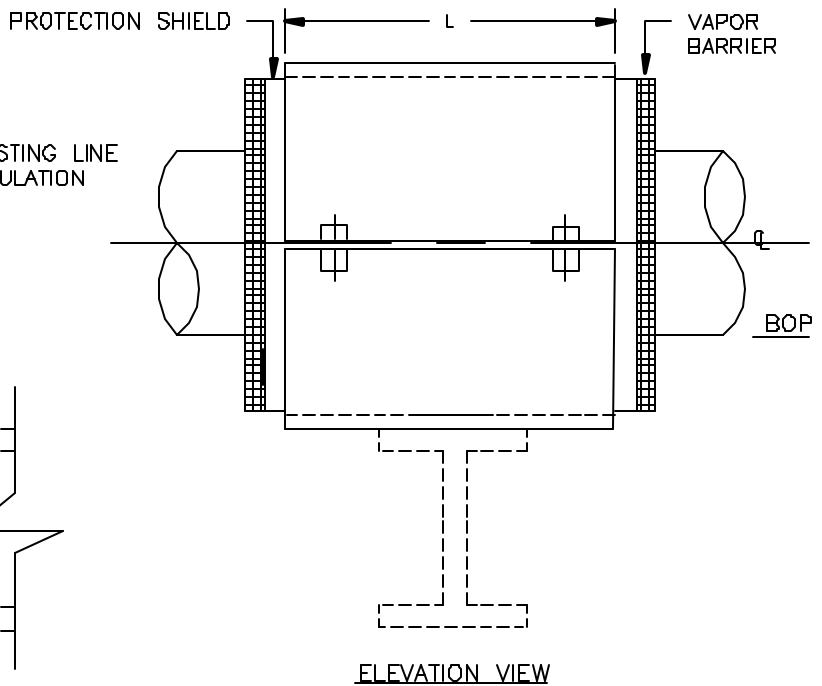
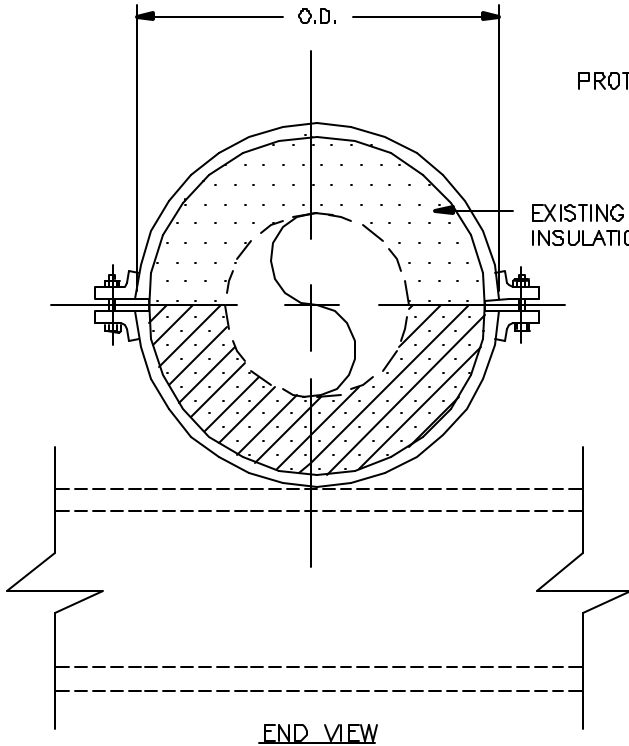


SPECIFICATIONS

INSULATION THK: _____
 SHOE LENGTH: _____
 LOADS: VERTICAL _____
 LATERAL _____
 AXIAL _____
 TEMPERATURE: _____



Design: PT&P 6/1/1999 7:06 AM CS-1000

NOTES

FIGURE# CS-1000 (CRYOSHOE™)
 DESCRIPTION: RESTING SHOE, W/O BASE, 180" INS.

FUNCTION:	USE TO SUPPORT VERTICAL LOADS - - - - -
PIPE SIZE:	1/2" TO 42" NPS.
MATERIAL:	GALVANIZED OR HDG CARBON STEEL
INSULATION:	HIGH DENSITY POLYURETHANE WITH VAPOR BARRIER
TEMP. RANGE:	AMBIENT TO -300°F
LAYERING SY:	SEE LAYERING CHARTS
SHOE LTH.(L):	STANDARD SHOE AVAILABLE IN 12" & 18" LENGTHS
TO ORDER:	SPECIFY PIPE SIZE, INSULATION THK., LENGTH HENCE: (CS-1000)-NPS-THK.-L
LOADS:	ALL LOADS ON ADJACENT CHART HAVE A SAFETY FACTOR OF 5

CLIENT NAME: _____
 PROJECT NAME: _____
 REQUISITION#: _____
 P O #: _____
 DWG#: _____
 MARK#: _____
 PT&P JOB# _____ ITEM# _____
 DATE: _____

PIPING TECHNOLOGY & PRODUCTS, INC.

P.O. BOX 34506 HOUSTON TEXAS 77234
 3701 HOLMES RD. HOUSTON TEXAS 77051
 TELE#:(713)731-0030 FAX#:(713)731-8640
 http://www.pipingtech.com/ E-MAIL: info@pipingtech.com





Low Temperature Phenolic Block Vessel Support with Teflon Gasfeet

Pipe size	L=12" Vertical Load(lbs)	L=18" Vertical Load(lbs)	Insulation Thickness						
			1"	1-1/2"	2"	2-1/2"	3"	3-1/2"	4"
			O.D.	O.D.	O.D.	O.D.	O.D.	O.D.	O.D.
1/2"	162	232	3-1/8"	4-1/4"	5-1/4"	6-7/8"	7-7/8"	8-7/8"	9-7/8"
3/4"	203	290	3-1/8"	4-1/4"	5-1/4"	6-7/8"	7-7/8"	8-7/8"	9-7/8"
1"	254	363	3-3/4"	4-3/4"	5-13/16"	6-7/8"	7-7/8"	8-7/8"	9-7/8"
1-1/4"	321	459	3-3/4"	5-1/4"	5-13/16"	6-7/8"	7-7/8"	8-7/8"	9-7/8"
1-1/2"	368	525	4-1/4"	5-1/4"	6-7/8"	7-7/8"	8-7/8"	9-7/8"	11"
2"	459	656	5"	6-1/16"	7-1/4"	8-1/8"	9-1/8"	10-1/8"	11-1/4"
2-1/2"	556	794	5-1/2"	7-1/8"	8-1/8"	9-1/8"	10-1/8"	11-1/4"	12-1/4"
3"	677	967	6-1/16"	7-1/8"	8-1/8"	9-1/8"	10-1/8"	11-1/4"	12-1/4"
3-1/2"	774	1105	7-1/8"	8-1/8"	9-1/8"	10-1/8"	11-1/4"	12-1/4"	13-1/4"
4"	870	1243	7-1/8"	8-1/8"	9-1/8"	10-1/8"	11-1/4"	12-1/4"	13-1/4"
5"	1076	1537	8-1/8"	9-1/8"	10-1/8"	11-1/4"	12-1/4"	13-1/4"	14-1/2"
6"	1281	1831	9-15/16"	10-3/8"	11-1/2"	12-1/2"	13-1/2"	14-3/4"	15-3/4"

Pipe size	L=12" Vertical Load(lbs)	L=18" Vertical Load(lbs)	Insulation Thickness						
			1"	1-1/2"	2"	2-1/2"	3"	3-1/2"	4"
			O.D.	O.D.	O.D.	O.D.	O.D.	O.D.	O.D.
8"	2502	3575	11-1/2"	12-1/2"	13-1/2"	14-3/4"	15-3/4"	16-3/4"	17-3/4"
10"	3119	4456	13-1/2"	14-3/4"	15-3/4"	16-3/4"	17-3/4"	18-3/4"	19-3/4"
12"	3699	5285	14-3/4"	16-3/4"	17-3/4"	18-3/4"	19-3/4"	20-3/4"	21-3/4"
14"	4062	5803	17"	18"	19"	20"	21"	22"	23"
16"	7737	11053	19"	20"	21"	22"	23"	24"	25"
18"	8704	12434	21"	22"	23"	24"	25"	26"	27"
20"	9671	13816	23"	24"	25"	26"	27"	28"	29"
24"	11605	16579	27"	28"	29"	30"	31"	32"	33"
26"	12573	17961	29-1/2"	30-1/2"	31-1/2"	32-1/2"	33-1/2"	34-1/2"	35-1/2"
28"	13540	19342	31-1/2"	32-1/2"	33-1/2"	34-1/2"	35-1/2"	36-1/2"	37-1/2"
30"	14507	20724	33-1/2"	34-1/2"	35-1/2"	36-1/2"	37-1/2"	38-1/2"	39-1/2"
32"	15474	22106	35-1/2"	36-1/2"	37-1/2"	38-1/2"	39-1/2"	40-1/2"	41-1/2"
34"	16441	23487	37-1/2"	38-1/2"	39-1/2"	40-1/2"	41-1/2"	42-1/2"	43-1/2"
36"	17408	24869	39-1/2"	40-1/2"	41-1/2"	42-1/2"	43-1/2"	44-1/2"	45-1/2"
40"	19342	27632	43-1/2"	44-1/2"	45-1/2"	46-1/2"	47-1/2"	48-1/2"	49-1/2"
42"	20310	29014	45-1/2"	46-1/2"	47-1/2"	48-1/2"	49-1/2"	50-1/2"	51-1/2"