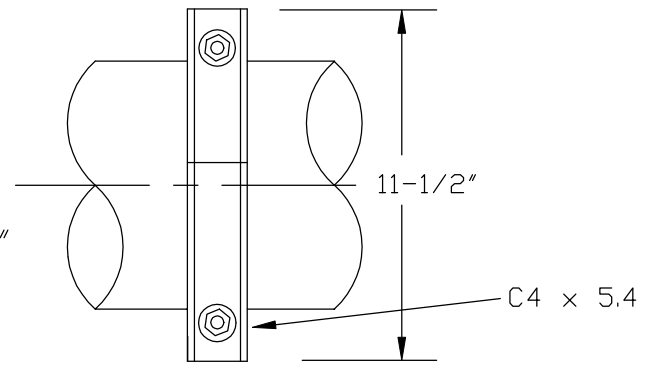
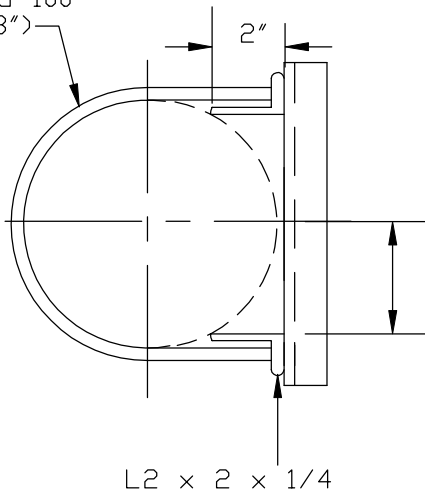
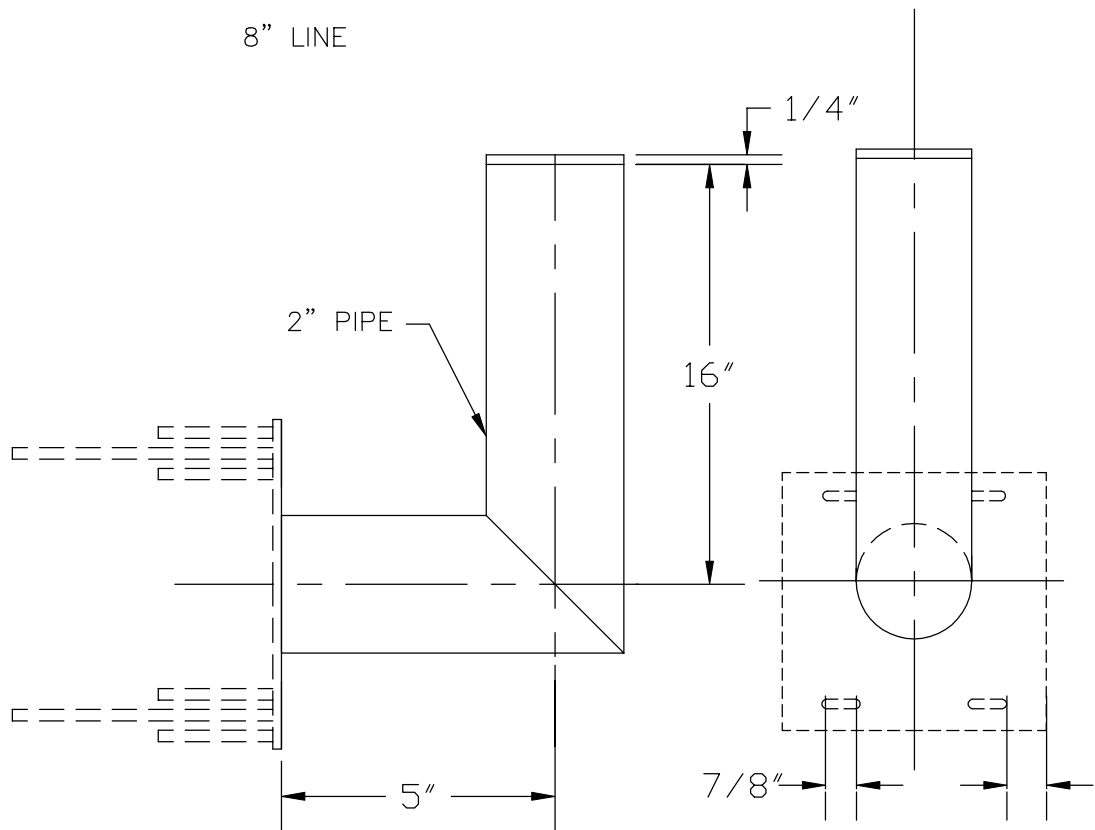


FIG 100  
(8")



8" LINE



Design, PT&P 9/18/1999 7:55 AM IS-14

CLIENT NAME: \_\_\_\_\_  
 PROJECT NAME: \_\_\_\_\_  
 REQUISITION#: \_\_\_\_\_  
 PT&P JOB#: \_\_\_\_\_ ITEM#: \_\_\_\_\_  
 P.O.#: \_\_\_\_\_  
 DWG#: \_\_\_\_\_  
 REV#: \_\_\_\_\_  
 MARK#: \_\_\_\_\_  
 FINISH: \_\_\_\_\_  
 DATE#: \_\_\_\_\_

FIGURE#: IS-590 (8" DIA. VERT. OR HORZ. LINE)  
 DESCRIPTION: PRIMARY INSTRUMENT SUPPORT MODULE, PREFAB,  
 SINGLE INSTRUMENT, U-BOLT SADDLE W/2" PIPE ©  
 90 DEG. EXTENSION FOR 8" DIA. VERTICAL OR  
 HORIZONTAL PIPE.

**PIPING TECHNOLOGY &  
 PRODUCTS, INC.**

P.O. BOX 34506  
 3701 HOLMES RD.  
 TELE#:(713)731-0030  
<http://www.pipingtech.com/>

HOUSTON TEXAS 77234  
 HOUSTON TEXAS 77051  
 FAX#:(713)731-8640  
 E-MAIL: info@pipingtech.com

