

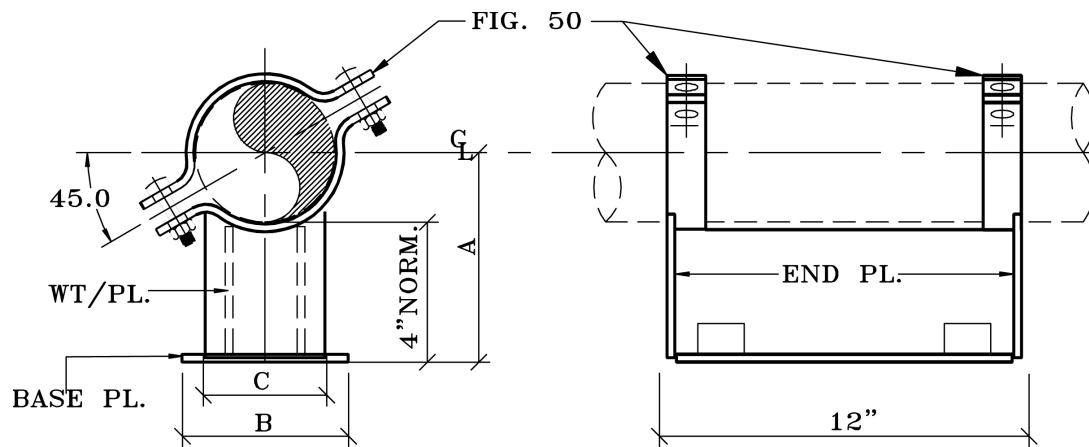


FIG. 1400

PIPE SHOE CLAMP

www.pipingtech.com/fig1400

- MATERIAL:** Carbon steel
- FINISH:** Painted or hot dipped galvanized.
- OPTIONS:** Modifications in the dimensions A, B, C, and L are available upon request.
- ORDERING:** Specify pipe size, figure number, description, type, quantity, and finish.
- ALLOWABLE LOADS:** The allowable vertical loads depend upon the pipe pressure and wall thickness.
- NOTE:** Special two-way, three-way, and four-way versions can be made available upon request.



PIPE SIZE	A	B	C
6	7 5/16	4	2
8	8 5/16	5 1/2	3 1/4
10	9 3/8	6 1/2	4 1/4
12	10 3/8	7 1/2	5 1/4
14	11	8 1/2	6 1/4
16	12	10	7 3/4
18	13	11	8 3/4
20	14	12	9 3/4
24	16	14 1/4	11 3/4
26	17	15 1/2	13
28	18	16 1/2	14
30	19	17 1/2	15
36	22	20 1/2	18

PIPESH0ES01.XLS-07/17/09