



FIG. 240

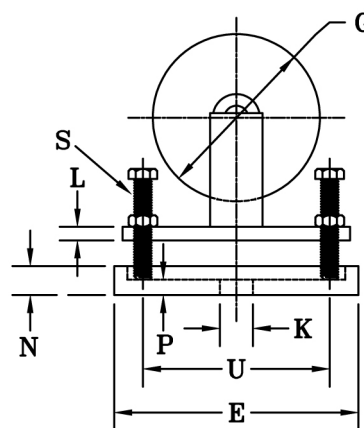
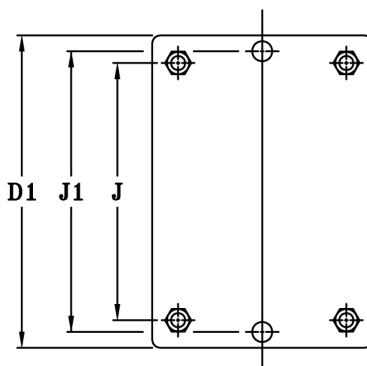
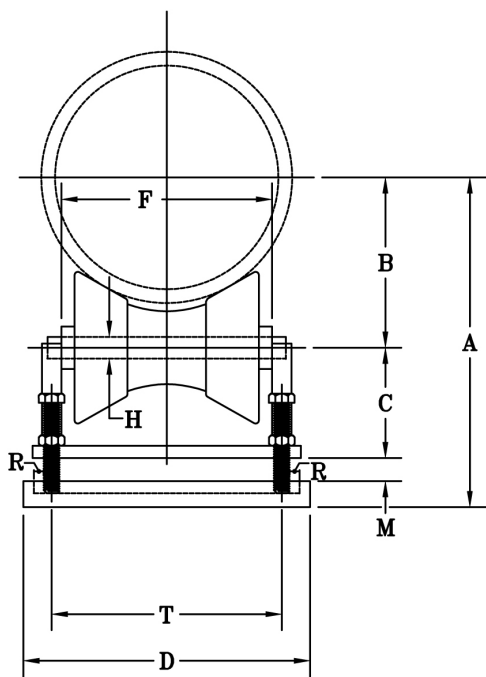
ADJUSTABLE ROLLER STAND

www.pipingtech.com/fig240

- MATERIAL:** Cast iron base plate, stand and roll, steel adjusting screws.
- SERVICE:** To support pipe lines where vertical and lateral adjustment during installation may be required in addition to provision for expansion and contraction.
- HOW TO SIZE:** If roll is to support bare pipe, select the size from nominal pipe size (see below).
- ORDERING:** Specify pipe size, figure number, description and finish.

SIZE (in.)	MAX. RECOM. LOAD (lb.)	APPROX. WEIGHT (lb. per 100)
2 - 3 1/2	390	1,525
4 - 6	950	1,930
8 - 10	2,100	3,205
12 - 14	3,075	5,115
16 - 20	4,980	7,130
24	6,100	8,700
30	7,500	16,615

SCOMPONENTS06.XLS-07/01/09



PIPE SIZE	A		B	C	D	D1	E	F	G	H	J	J1	K	L	M	N	P	R	S	T	U
	MIN.	MAX.													MAX.						
2	5 1/8	5 3/8	1 3/4	1 3/4	6 7/8	8 3/8	5 1/2	2 3/4	1 7/8	1/2	3 7/8	6 3/8	1	11/16	7/8	1	1/4	1	5/8	3 7/16	4
2 1/2	5 3/8	5 5/8	2 1/8																		
3	5 3/4	6	2 3/8																		
3 1/2	6	6 1/4	2 5/8																		
4	6 1/2	7	2 3/4	2 1/16	8 1/8	9 7/8	5 3/4	3 3/4	2 1/16	1/2	5 1/8	7 3/8	1	7/8	1 1/8	1	1/4	1	5/8	4 11/16	4 1/4
5	7	7 1/2	3 3/8																		
6	7 5/8	8 1/8	4																		
8	10 3/8	11 5/8	5 1/4	3 7/16	10 5/8	-	6 3/4	6	3 1/4	3/4	7 3/8	-	1	7/8	1 3/4	1 1/8	3/8	1	3/4	7	5
10	11 1/2	12 3/4	6 3/8																		
12	13	14 1/4	7 1/2	3 7/8	13	-	8	8	4	7/8	9 1/2	-	1	7/8	1 3/4	1 1/8	3/8	1	7/8	9 1/16	6
14	13 5/8	14 7/8	8 1/8																		
16	15 1/4	16 5/8	9 3/8	4 1/4	14 5/8	-	8 5/8	9	4 1/2	1 1/4	11 1/8	-	1	1	1 7/8	1 1/4	5/8	1 3/16	1	10 1/4	6 1/2
18	16 3/8	17 3/4	10 3/8																		
20	17 3/8	18 3/4	11 3/8	4 1/4	14 5/8	-	8 5/8	9	4 1/2	1 3/8	11 1/8	-	1	1	1 7/8	1 1/4	5/8	1 3/16	1	10 1/4	6 1/2
24	19 5/8	21	13 3/8	4 3/8	15 3/4	-	8 5/8	10	4 7/16	1 3/8	12 1/4	-	1	1 1/8	1 7/8	1 3/8	5/8	1 3/16	1	11 3/8	6 1/2
30	24	26 3/4	16 3/4	5 1/8	19 1/4	-	10 1/2	12 1/2	5 1/2	1 3/4	15 3/4	-	1	1 1/2	3 1/4	1 5/8	3/4	1 3/8	1 1/4	14 1/4	8

SCOMPONENTS06.XLS-08/31/09