

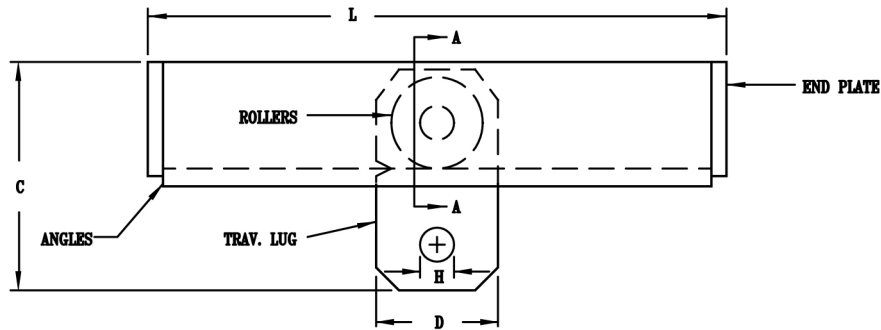


FIG. 270

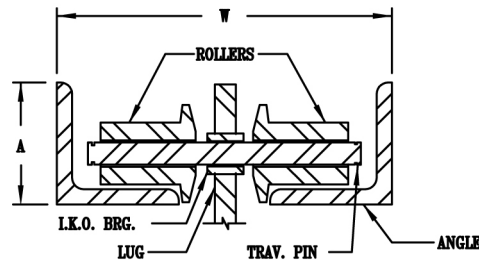
HORIZONTAL TRAVELERS

www.pipingtech.com/fig270

- SIZE RANGE:** Available in four sizes to take loads up to 20,700 lb. All sizes provide for 12" of horizontal travel.
- INSTALLATION:** Shipped ready for installation. Attach to the supporting steel by welding around the frame. Spring hanger may be bolted or welded to the load plate.
- FEATURES:**
- Highly economical
 - Minimum friction
 - Virtually dust proof
 - Compact - designed for minimum head room
 - Versatile
- ORDERING:** Specify size number, figure number, description and "H" dimensions if required. Horizontal travelers can be designed for special loads, travels or dual directional travel upon request.



PROFILE



SECT. A-A

| SIZE NO. | MAX. RECOM. LOAD (lb.) | APPROX. WEIGHT (lb. each) | A | B | C | D | H MAX. | L | T | W |
|----------|------------------------|---------------------------|-------|-------|--------|-------|--------|--------|-------|--------|
| 1 | 3,770 | 15 | 2 1/2 | 1 5/8 | 5 3/8 | 2 1/2 | 1 1/8 | 15 1/8 | 3/4 | 4 5/8 |
| 2 | 6,230 | 37 | 3 1/2 | 2 5/8 | 7 7/8 | 3 1/2 | 1 3/8 | 16 3/8 | 3/4 | 6 3/4 |
| 3 | 11,630 | 69 | 5 | 3 | 10 1/2 | 5 | 1 3/4 | 17 7/8 | 1 | 9 3/4 |
| 4 | 20,700 | 102 | 6 | 3 1/2 | 12 1/2 | 6 | 2 1/2 | 19 1/8 | 1 1/2 | 10 1/4 |

SCOMPONENTS03.XLS-07/01/09