



## FIG. 600

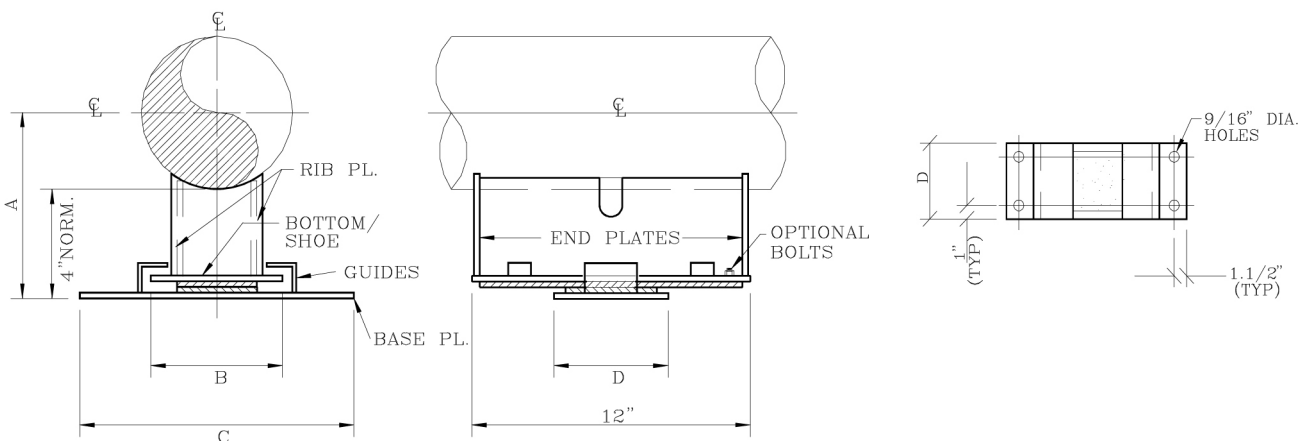
## DOUBLE T-BAR CRADLE SUPPORT WITH GUIDE & SLIDE PLATE CRADLED GUIDED SUPPORT

www.pipingtech.com/fig600

- MATERIAL:** Carbon steel
- FINISH:** Painted or hot dipped galvanized.
- OPTIONS:** Modifications in the dimensions A, B, C, D, and the slide plate material (PTFE, 25% glass filled or graphite) available upon request.
- ORDERING:** Specify pipe size, figure number, description, type, quantity, finish and slide plate material.
- ALLOWABLE LOADS:** The allowable vertical loads depend upon the pipe pressure and wall thickness.
- BONDING:** Graphite slide plates are usually bonded. For high temperature service above 500 °F specify bolted construction.
- NOTE:**
- Optional bolted base plate, specify Fig. 601.
  - For upper graphite slide material to be of bolted design, specify Fig. 600-B or Fig. 601-B (see below).

### FIG. 600 - WELDED BASE

### FIG. 601 - BOLTED BASE



PIPE SIZE	A	B	C	D	APPROX. WEIGHT (lb. per each)
6	7 5/16	5 1/2	8 3/4	5	19.0
8	8 5/16	6 3/4	10	5	28.0
10	9 3/8	7 3/4	11	5	30.0
12	10 3/8	8 3/4	12	5	32.0
14	11	9 3/4	13	5	34.0
16	12	11	14 1/4	5	36.0
18	13	12	15 3/4	5 1/2	49.0
20	14	13	16 3/4	5 1/2	53.0
24	16	15 1/4	19 1/2	5 1/2	71.0
30	19	18 1/2	22 3/4	5 1/2	93.0
36	22	21 1/2	25 3/4	5 1/2	104.0
42	25	24 1/2	28 3/4	5 1/2	119.0

PIPESHOES01.XLS-07/17/09

FABRICATED PIPE SHOES & ANCHORS