

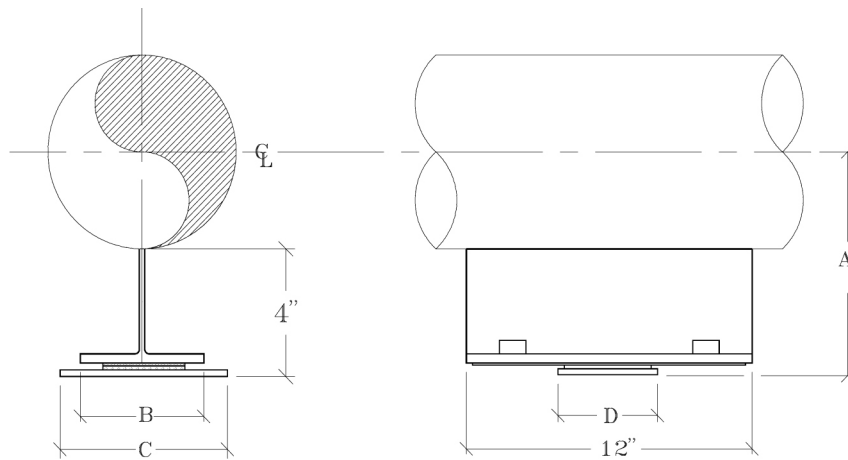


FIG. 98

T-BAR WITHOUT CRADLE, WITH SLIDE PLATE CRADLED NON-GUIDED SUPPORT

www.pipingtech.com/fig98

- MATERIAL:** Carbon steel
- FINISH:** Painted or hot dipped galvanized.
- OPTIONS:** Modifications in the dimensions A, B, C, and the slide plate material (PTFE, 25% glass filled or graphite) available upon request.
- ORDERING:** Specify pipe size, figure number, description, type, quantity, finish and slide plate material.
- ALLOWABLE LOADS:** The allowable vertical loads depend upon the pipe pressure and wall thickness.
- BONDING:** Graphite slide plates are usually bonded. For high temperature service above 500 °F specify bolted construction.



PIPE SIZE	A	B	C	D	APPROX. WEIGHT (lb. per each)
1/2	4 7/16	4	12	5	12.0
3/4	4 1/2	4	12	5	12.0
1	4 11/16	4	12	5	12.0
1 1/4	4 13/16	4	12	5	12.0
1 1/2	4 15/16	4	12	5	12.0
2	5 3/16	4	12	5	12.0
2 1/2	5 7/16	4	12	5	12.0
3	5 3/4	4	12	5	12.0
3 1/2	6	4	12	5	12.0
4	6 1/4	4	12	5	12.0
5	6 13/16	4	12	5	12.0
6	7 5/16	4	12	5	15.5

PIPESH0ES01.XLS-07/17/09