



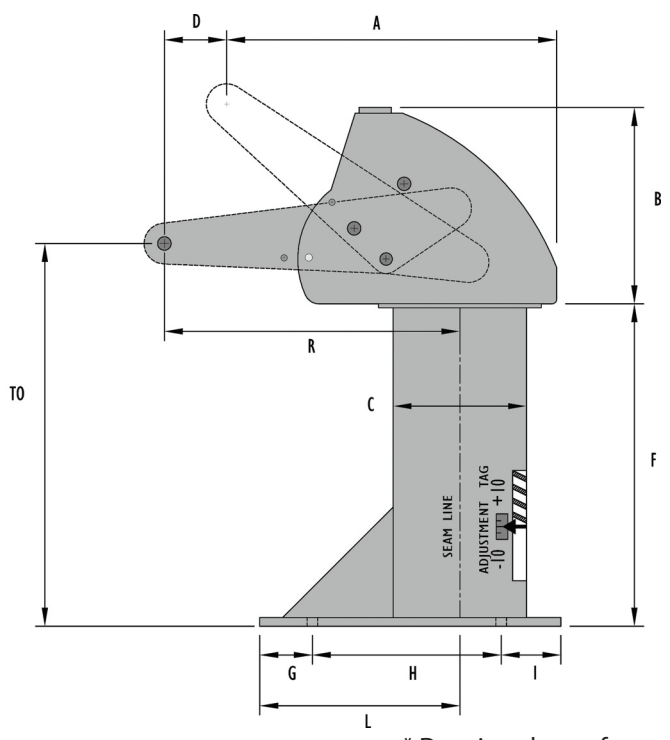
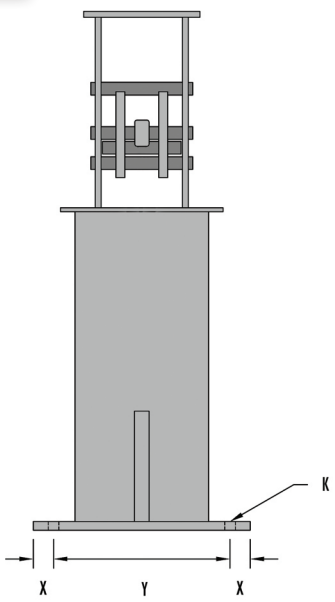
FIG. PTP 100-F

CONSTANT

ENGINEERED PIPE SUPPORTS

www.pipinatech.com/ptp100-f

LAYOUT A



* Drawing shown for up travel

Figure PTP 100-F is a vertical constant designed to support piping from below. The base plate is bolted directly to the top of the steel or floor as shown. In layout A, the strut which connects the load arm to the piping is ordered separately.

PLEASE CALL FOR DIMENSIONS

LAYOUT B

